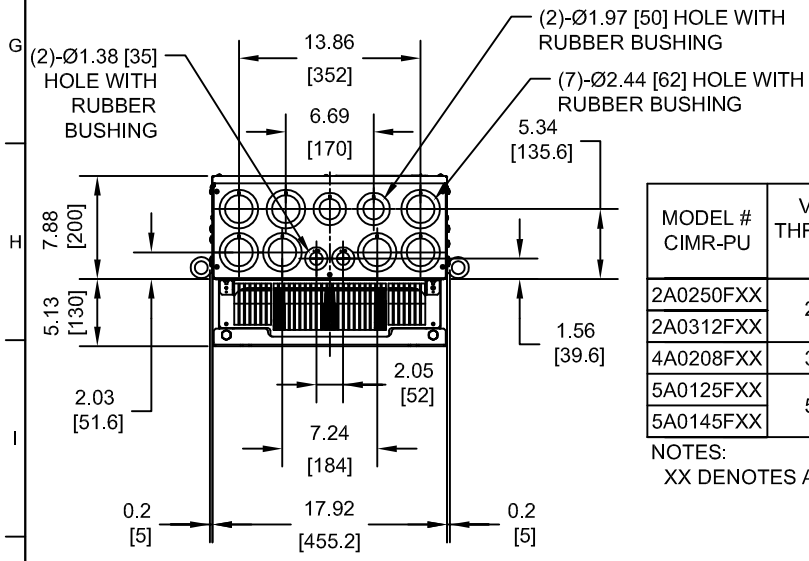
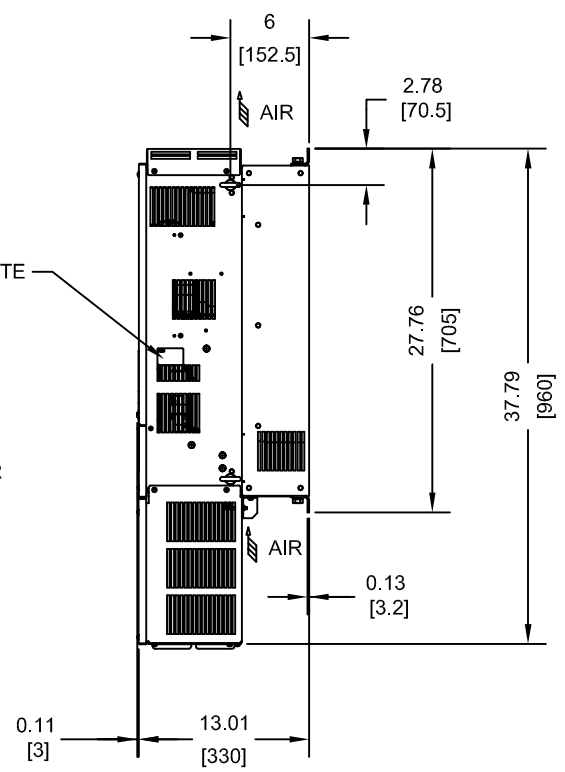
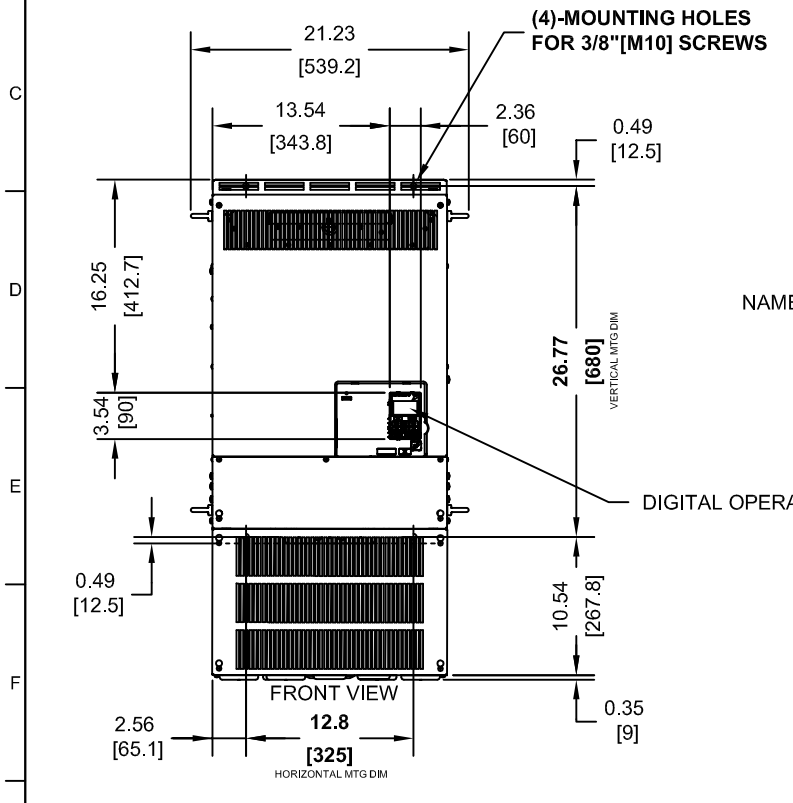
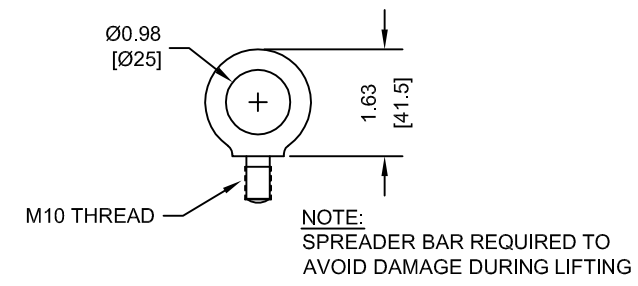


LIFTING AND EYEBOLT DETAILS



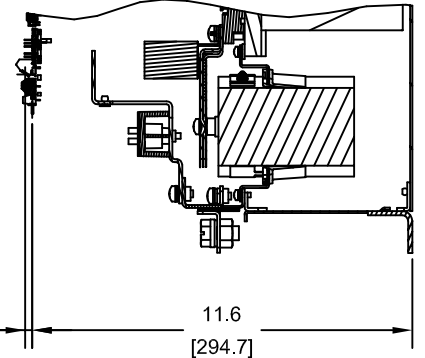
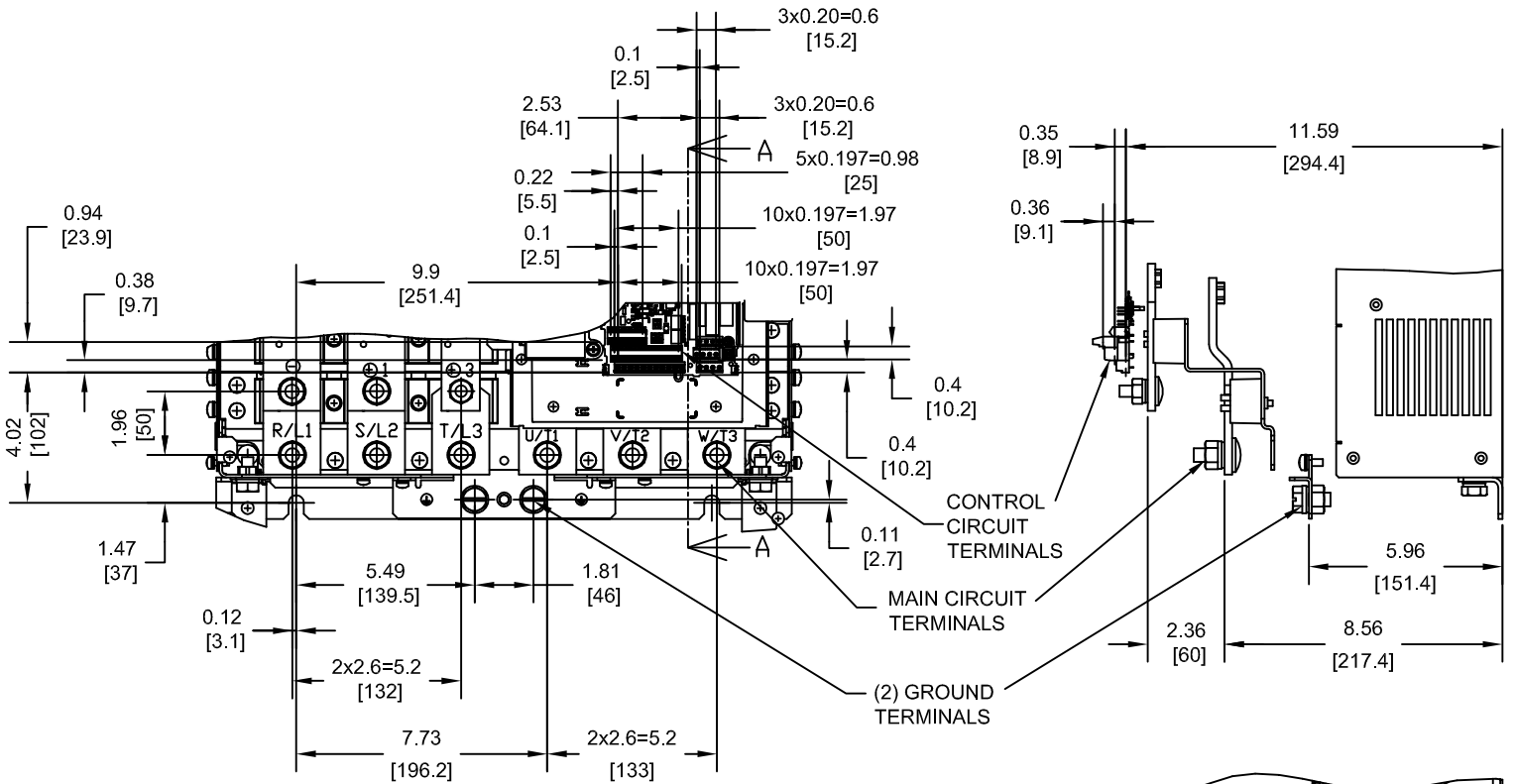
MODEL # CIMR-PU	VOLTAGE THREE-PHASE (VAC)	OUTPUT CURRENT (A)	WEIGHT LBS (Kg)	HEAT LOSS (W) (Fc=2kHz)		
				INT	EXT	TOT
2A0250FXX	200/240	250	183 (83)	594	1764	2358
2A0312FXX		312	194 (88)	665	2020	2685
4A0208FXX	380/480	208	191 (87)	607	1800	2407
5A0125FXX	500/600	125	191 (87)	537	1641	2178
5A0145FXX		145	191 (87)	603	1860	2463

NOTES:  
XX DENOTES AA-ZZ  
INT=INTERNAL COMPONENTS  
EXT=EXTERNAL HEATSINK  
TOT=TOTAL

FOR ADDITIONAL DETAILS AND SPECIFICATIONS, CONSULT MANUAL

TOLERANCES / REFERENCES:			DRAWN: J. MATTAS	DATE 12-9-11	TITLE: P1000 DIMENSION DRAWING FRAME SIZE 11 NEMA TYPE 1 ENCLOSURE 2A0250, 2A0312, 4A0208, 5A0125 & 5A0145
			CHECKED: J. PIOTROWSKI	DATE 1-5-12	
		THIS DOCUMENT AND INFORMATION CONTAINED IN IT ARE CONFIDENTIAL, AND CANNOT BE COPIED OR DISCLOSED IN WHOLE OR IN PART WITHOUT THE EXPRESS WRITTEN CONSENT OF YASKAWA AMERICA, INC.	TECH: J. BORJA	DATE 1-9-12	SIZE A
			APPROVED: J. CAIRO	DATE 1-10-12	
UNITS: IN [mm]	SCALE: 1:15	ORIGINAL DESIGN: -	DATE -	PAGE 1 of 4	DRAWING #: <b>DD.P1K.FR11.N1</b>

TERMINAL AND WIRING DETAILS (SCALE 1:6)  
 PU2A0250 AND PU2A0312 ONLY



SECTION A-A

TERMINAL AND WIRE SPECIFICATIONS FOR  
 MAIN CIRCUIT AND GROUND

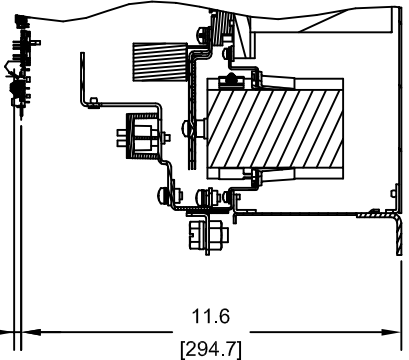
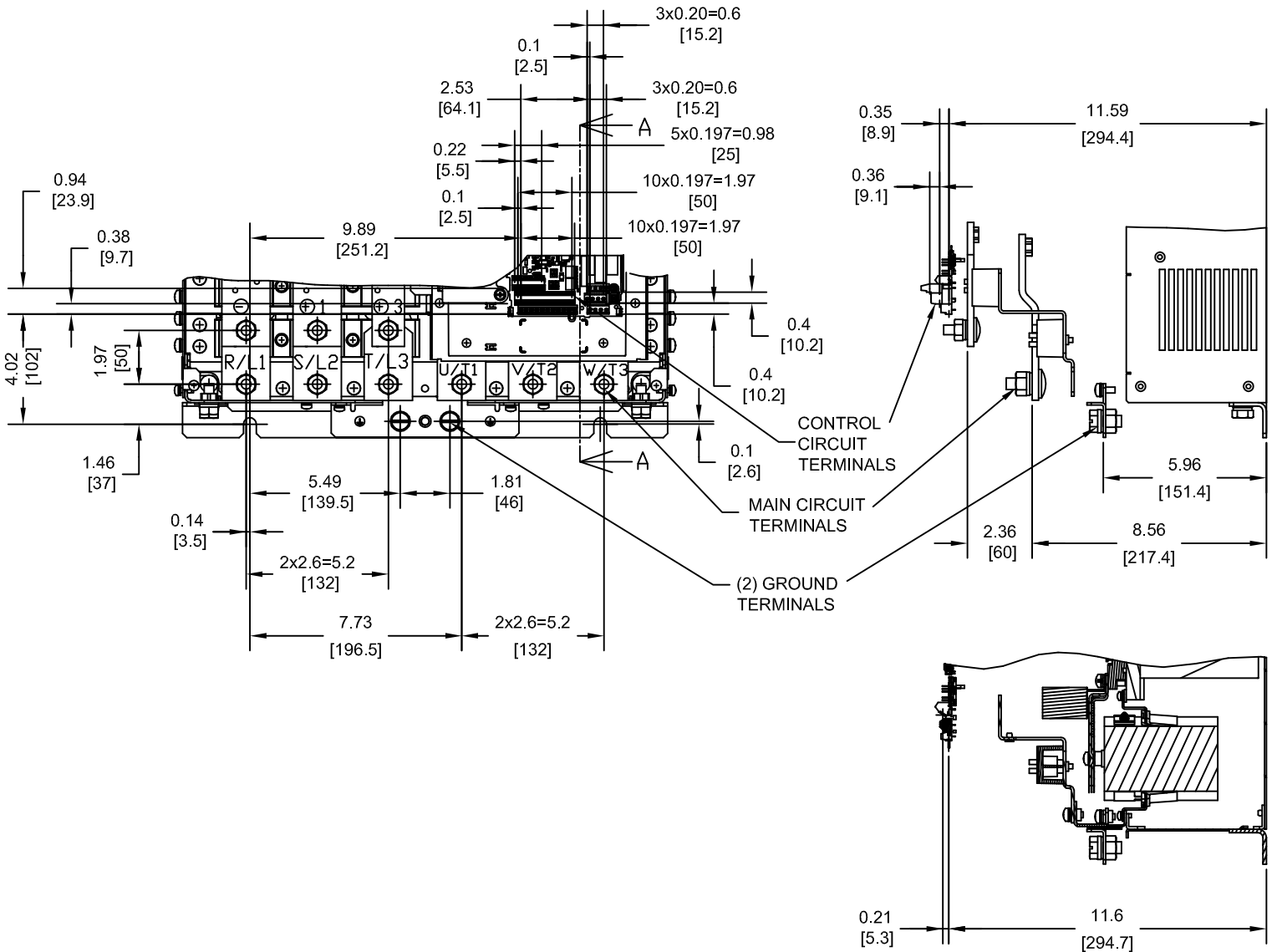
MODEL # CIMR-PU	TERMINAL SYMBOL	TERMINAL SCREW	CLAMPING TORQUE lb.in.(N.m.)
2A0250 2A0312	R/L1, S/L2, T/L3	M12	283.2 TO 354.0 (32 TO 40)
	U/T1, V/T2, W/T3		
	⊖, ⊕1	M10	
	⊕3		
	⊕		
		M12	283.2 TO 354.0 (32 TO 40)

NOTE: REFER TO APPLICABLE CODES FOR PROPER WIRE TYPE AND SIZE

FOR ADDITIONAL DETAILS AND SPECIFICATIONS, CONSULT MANUAL

TOLERANCES / REFERENCES:			DRAWN: J. MATTAS	DATE 12-9-11	TITLE: P1000 DIMENSION DRAWING FRAME SIZE 11 NEMA TYPE 1 ENCLOSURE 2A0250, 2A0312, 4A0208, 5A0125 & 5A0145
UNITS: IN [mm]    SCALE: BY VIEW			CHECKED: J. PIOTROWSKI	DATE 1-5-12	
THIS DOCUMENT AND INFORMATION CONTAINED IN IT ARE CONFIDENTIAL, AND CANNOT BE COPIED OR DISCLOSED IN WHOLE OR IN PART WITHOUT THE EXPRESS WRITTEN CONSENT OF YASKAWA AMERICA, INC.		TECH: J. BORJA	DATE 1-9-12	SIZE: A    REVISION: R00    PAGE: 2 of 4	
		APPROVED: J. CAIRO	DATE 1-10-12		
		ORIGINAL DESIGN:	DATE	DRAWING #: <b>DD.P1K.FR11.N1</b>	

TERMINAL AND WIRING DETAILS (SCALE 1:6)  
 PU4A0208, PU5A0125 AND PU5A0145 ONLY



SECTION A-A

TERMINAL AND WIRE SPECIFICATIONS FOR  
 MAIN CIRCUIT AND GROUND

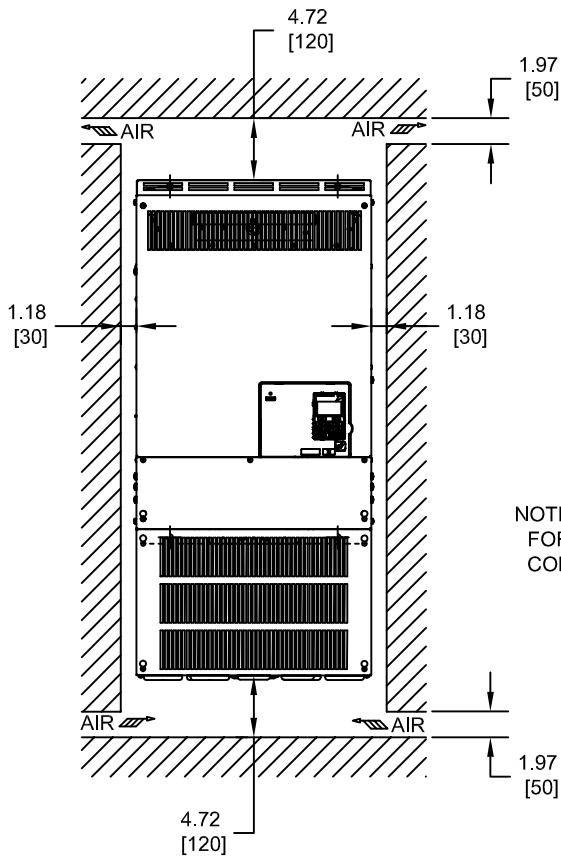
MODEL # CIMR-PU	TERMINAL SYMBOL	TERMINAL SCREW	CLAMPING TORQUE lb.in.(N.m.)
4A0208 5A0125 5A0145	R/L1, S/L2, T/L3	M10	159.3 TO 203.6 (18 TO 23)
	U/T1, V/T2, W/T3		
	⊖, ⊕1	M10	159.3 TO 203.6 (18 TO 23)
	⊕3	M10	159.3 TO 203.6 (18 TO 23)
	⊕	M10	159.3 TO 203.6 (18 TO 23)

NOTE: REFER TO APPLICABLE CODES FOR PROPER WIRE TYPE AND SIZE

FOR ADDITIONAL DETAILS AND SPECIFICATIONS, CONSULT MANUAL

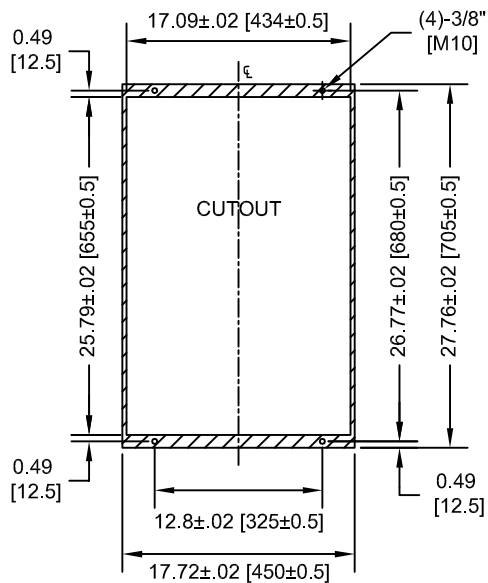
TOLERANCES / REFERENCES:			DRAWN: J. MATTAS DATE: 12-9-11	TITLE: P1000 DIMENSION DRAWING FRAME SIZE 11 NEMA TYPE 1 ENCLOSURE 2A0250, 2A0312, 4A0208, 5A0125 & 5A0145
UNITS: IN [mm]	SCALE: BY VIEW		CHECKED: J. PIOTROWSKI DATE: 1-5-12	TECH: J. BORJA DATE: 1-9-12
THIS DOCUMENT AND INFORMATION CONTAINED IN IT ARE CONFIDENTIAL, AND CANNOT BE COPIED OR DISCLOSED IN WHOLE OR IN PART WITHOUT THE EXPRESS WRITTEN CONSENT OF YASKAWA AMERICA, INC.		APPROVED: J. CAIRO DATE: 1-10-12	ORIGINAL DESIGN: - DATE: -	SIZE: A REVISION: R00 PAGE: 3 of 4
			DRAWING #: <b>DD.P1K.FR11.N1</b>	

MINIMUM INSTALLATION CLEARANCES (SCALE 1:15)



NOTE:  
FOR SIDE-BY-SIDE MOUNTING  
CONSULT MANUAL

PANEL CUTOUT FOR EXTERNAL HEATSINK  
MOUNTING CONFIGURATION (SCALE 1:15)



NOTE:  
EXPOSED HEATSINK DEPTH  
D=5.12" MINUS PANEL THICKNESS

FOR ADDITIONAL DETAILS AND SPECIFICATIONS, CONSULT MANUAL

TOLERANCES / REFERENCES:			DRAWN: J. MATTAS CHECKED: J. PIOTROWSKI TECH: J. BORJA APPROVED: J. CAIRO ORIGINAL DESIGN: -	DATE 12-9-11 DATE 1-5-12 DATE 1-9-12 DATE 1-10-12 DATE -	TITLE: P1000 DIMENSION DRAWING FRAME SIZE 11 NEMA TYPE 1 ENCLOSURE 2A0250, 2A0312, 4A0208, 5A0125 & 5A0145
UNITS: IN [mm]	SCALE: BY VIEW		THIS DOCUMENT AND INFORMATION CONTAINED IN IT ARE CONFIDENTIAL, AND CANNOT BE COPIED OR DISCLOSED IN WHOLE OR IN PART WITHOUT THE EXPRESS WRITTEN CONSENT OF YASKAWA AMERICA, INC.	SIZE A REVISION R00 PAGE 4 of 4	DRAWING #: DD.P1K.FR11.N1